

SUVA



Instructions for use

Table of contents

| | |
|-------------------------------------|---|
| Preface | 3 |
| Service life | 3 |
| Disposal | 3 |
| Identification plate..... | 3 |
| Reuse..... | 3 |
| Warranty | 3 |
| Parts of the product | 4 |
| Indication..... | 4 |
| Scope of delivery | 4 |
| Safety instructions..... | 4 |
| Assembly..... | 5 |
| Height adjustment of the feet | 5 |
| Cleaning Maintenance..... | 5 |
| Technical data..... | 5 |

Preface

Thank you for choosing a product from Drive DeVilbiss.

You will not be disappointed by the design, functionality and quality of this product.

Please read these operating instructions carefully prior to initial use. They contain important safety information and valuable tips for the proper use and care. If you have questions or need additional information, contact your Drive DeVilbiss specialist dealer who supplied your product.

These operating instructions contain all of the important information for adjustment and operation. The most current operating instructions are available as a PDF online or can be requested from customer service.

Enlarged formats for visually impaired persons can be displayed. Blind patients must be instructed by their attendant. Repairs as well as some adjustments require special technical training and must therefore be made by the medical supplies dealer.

Every serious incident which occurs in connection with the product must be reported to the manufacturer and the competent authority of the member state in which the user and/or patient is located.

Service life

Our company assumes a service life of five years for this product as long as the product is used as intended and all maintenance and service requirements are observed.

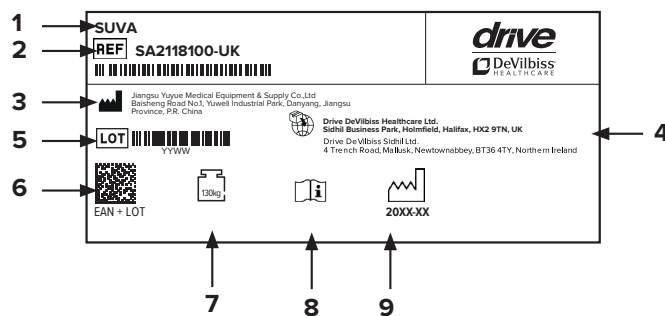
This service life may be significantly exceeded if the product is carefully handled, repaired, maintained and used and there are no technical limits based on the further development of science and technology.

The service life may also be significantly shortened through extreme and improper use, however. Determination of the service life by our company does not represent any additional guarantee.

Disposal

If you no longer need the product, please contact your specialist dealer or bring the product to your local disposal center.

Identification plate



1 Article name | 2 Article number | 3 Manufacturer | 4 Importer
5 Batch number (year-month) | 6 UDI code | 7 Max. load
8 Follow the instructions for use | 9 Production date (year-month)

Reuse

This product can be reused. Please note that all technical documents needed for safe handling must also be given to the new user.

The product must be checked by the specialist dealer, cleaned, and restored to optimum condition.

Always follow the manufacturer's instructions during preparation; these are made available on request.

Accessories are available from your specialist dealer or at www.drivedevilbiss.co.uk

Warranty

The warranty period for the product supplied by us is 24 months from the date of purchase. Defective parts will be replaced free of charge if it can be shown that there is a defect in materials or manufacturing.

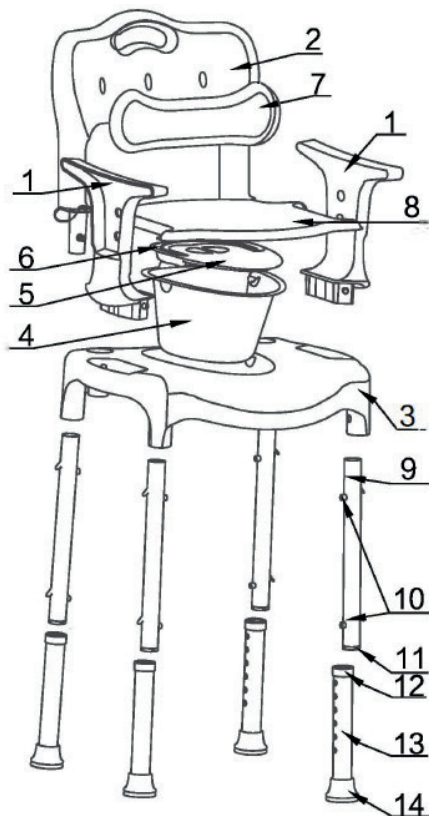
Parts subject to wear are generally not covered during the normal guarantee period unless the parts need repair or replacement which became necessary as a clear, direct consequence of a manufacturing or material error.

We reserve the right of error and modifications on the basis of technical improvements and changes in design.

EXCLUSION OF WARRANTY

Parts subject to wear include (among others):
rubber feet

Parts of the product



Suva

1. Armrest
2. Backrest
3. Seat Base
4. Pan
5. Pan Lid
6. Pan handle
7. Back Cushion
8. Seat Cushion
9. Upper Pipe
10. Pin index
11. Dust Cap
12. Sleeve
13. Drawpipe
14. Footpad

Indication

Impossibility to securely stand in the shower due to impaired function of the lower extremity with limited or absent mobility and muscle strength and/or impaired vestibular function or tendency to fall due to other etiology with simultaneously adequate stable torso position for sitting and sufficient residual functions of the upper extremities.

Significant to full impairment of mobility/walking and transfer in the case of structural and/or functional damage to the lower extremities (including amputation, after-effects of injuries, musculoskeletal/neuromusculoskeletal movement disorders)

- For use of the integrated toilet unit or to position over a toilet.

Scope of delivery

| | |
|-----|----------------------|
| 1 x | commode |
| 1 x | bucket with cover |
| 1 x | instructions for use |

Safety instructions

- Read these instructions for use carefully.
- All components should be checked for damage and a secure fit prior to use. Do not use product if there are any defects!
- Clothing or body parts can be pinched when sitting down or getting up and when locking the seat section into place.
- Caution – risk of slipping/falling!
- The product is significantly less stable than regular chairs, therefore avoid leaning to the side – risk of tipping!
- Always sit in the middle of the seat and not on the edge – risk of tipping and slipping!
- The product should not be exposed to temperatures above 60 °C for long periods of time (for example, use in a sauna, etc.).
- Take note of the permitted maximum weight of the user. This information can be found in the technical data in these instructions for use as well as on the identification plate.

Assembly

1) Insert 4 x upper pipes **(9)** into the slots on seatbase**(3)**. It is well installed after a “click” sound.

2) Use the same way to insert armrest **(1)** and backrest **(2)** into the slots of seat base **(3)**.

3) Put the pan parts **(4)(5)(6)** into the hole of seat base **(3)** and apply the seat cushion **(8)**.

4) Insert the back cushion **(7)** in 3 little holes on backrest **(2)**. Installation finished.

5) When use as commode chair, please open seat cushion **(8)** and pan lid **(5)**. When use as bath chair, we suggest to remove pan parts **(4)(5)(6)**.

Detachment of armrest and backrest: push the index pin under armrest **(1)** or backrest **(2)** and pull.

Height adjustment of the feet

Before using the product, adjust it to the desired height.

Height Adjustment: Push pin index **(10)** with one hand and hold the drawpipe **(13)**. Adjust the height by moving vertically. Please make sure the pin index **(13)** is suited in the slot perfectly after adjustment.

Ensure that all four legs are adjusted to the same height.

Cleaning | Maintenance

- Clean regularly with a moist cloth!
- Do not use any aggressive cleaning agents!
- Do not use abrasive cleaners!
- Do not use any high-dose chlorine and vinegar-based cleaners!
- To disinfect, a spray disinfectant can be used such as Descosept AF or Bacillol AF.
- In the event of defects, contact your specialist dealer from whom you purchased this product.

Technical data

| Product | SUVA |
|----------------|--------------------------|
| Article number | SA2118100-UK |
| Overall width | 505mm |
| Overall length | 395 mm |
| Overall height | 750/877 mm |
| Seat height | 420/545 mm |
| Seat width | 460 mm |
| Seat depth | 430 mm |
| TOTAL WEIGHT | 5,1 Kg |
| Max. load | 130 Kg |
| Material | 6061 Alumunium , plastic |

Errors and alterations excepted



Drive DeVilbiss Healthcare Ltd.
Sidhil Business Park, Holmfield, Halifax, HX2 9TN, UK

www.drivedevilbiss.co.uk



Jiangsu Yuyue Medical Equipment & Supply CO., LTD.
Yunyang Industrial Park Danyang City Jiangsu Province,
Chine. 212300



Metrax GmbH
Rheinwaldstr. 22, D-78628 Rottweil, Germany