

# Open Toe Table

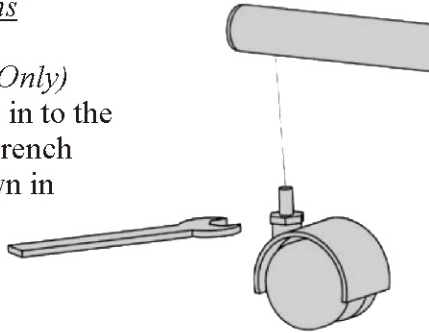
## Assembly and Operation Instructions

The instructions below covers the Open Toe Tables with castors (251C) and without castors (251).

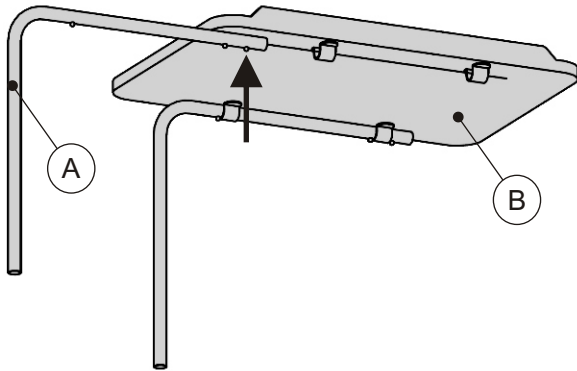
The tables are height and angle adjustable. They feature a veneer style melamine table top with two lips for ease-of-use.

### Assembly Instructions

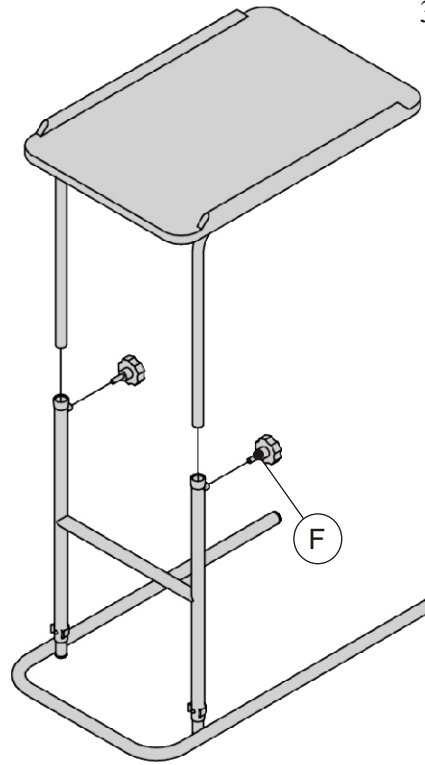
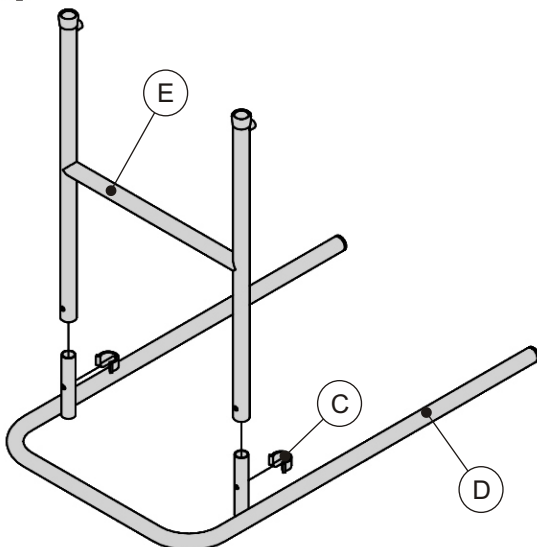
1. (Applies to 251C Only)  
Attach the castors in to the frame using the wrench provided (as shown in diagram right).



2. Insert the two chrome legs (shown by 'A') in the brackets located under the tabletop (B). Press the push button (arrowed) on the leg until it has slid through both of the brackets and leg is held secure.



3. Remove the 'E' clips (shown by 'C') from the base frame (D) if required. Insert the 'H' framed tubing (E) in to the base, ensuring the holes on the tubing are at the bottom. Insert the 'E' clips to secure the tubing.



3. Connect the two sections of the table together as shown above. Adjust the table top to the required height and angle. Insert the two handscrews (shown by 'F') in to the receiver in the frame. Secure the table in position by turning two handscrews clockwise until they lock the table tubing in position.

### Operation Instructions

1. To adjust the height and/or angle of the table, first slacken the 2 handscrews by turning anticlockwise. Adjust the table to suit, and secure by turning the handscrews clockwise.
2. The table is not load bearing, and should not be used to support objects over 15kg (33lb). Do not allow people to lean on the table.
3. The table can be cleaned with a soft damp cloth and mild detergent. Using abrasive cleaning materials, very hot water or scrubbing the table top may result in damage.

### Dimensions

Table top (cm):	40W x 60D x 68 - 95H
Table overall (cm)	40W x 67D x 68 - 95H

### Warranty

The open toe table comes with a one-year warranty covering manufacturing and design defects. It does not cover accidental damage or wear and tear. Contact your dealer for full warranty details.

# drive™

Drive Medical Ltd,  
Ainley's Industrial Estate,  
Elland, West Yorkshire HX5 9JP.  
[www.drivemedical.co.uk](http://www.drivemedical.co.uk)